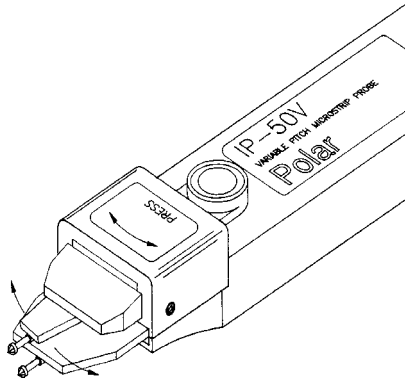


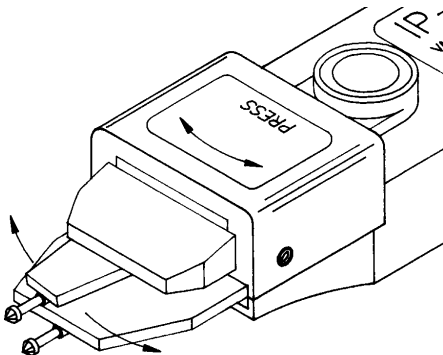


VARIABLE PITCH PROBE FOR CITS



The IP-50V makes testing faster by allowing the user to adjust the pitch of the CITS Probe instantly between tests.

Order Code: IP-50V



The probe pitch is altered by pressing the button and sliding the moveable GND probe to the desired spacing.

The pitch is continuously adjustable from 0.1" to 0.3".

In addition, two user-adjustable stops allow two selectable preset pitches to be set.

Probe impedance is 50Ω.

POLAR INSTRUMENTS, GARENNE PARK, GUERNSEY, GY2 4AF, UK
Tel: + 44 1481 253081 Fax: + 44 1481 252476
Email: mail@polarinstruments.com
www.polarinstruments.com