

AP146 - IP Probe Footprints (mechanical specification)

The Polar IP probes and the later IPE and IPDE series which superseded them are available as described. The higher performance IPS series are NOT available in any impedance other than 50 Ohms. The IPDS can be manufactured in the same pin configurations as the IPD and IPDE series. Only preferred styles will be available ex stock.

Note: The following probe types are preferred:

IP50/0.1", IP50/0.14", ACC270, ACC272, ACC274, ACC275

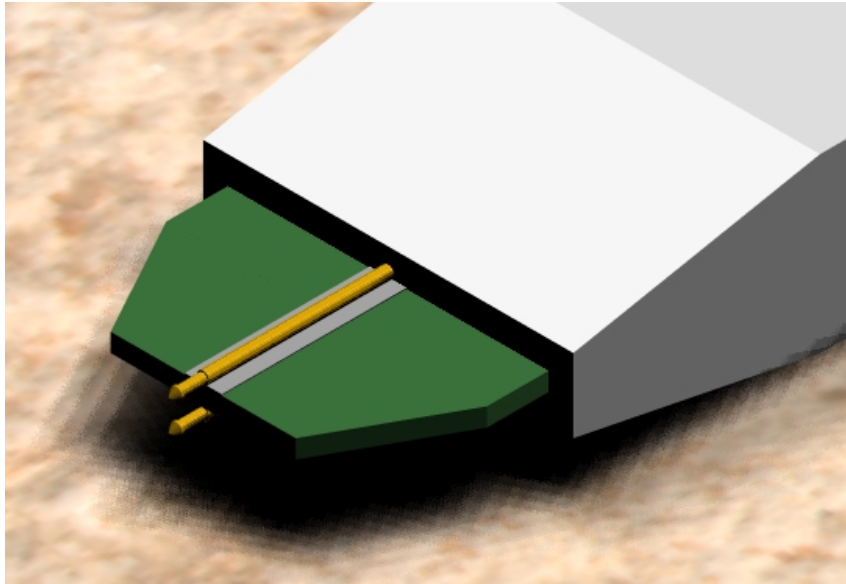
● ← The grey pin = ground pins.

○ ← The white pins = signal pins.

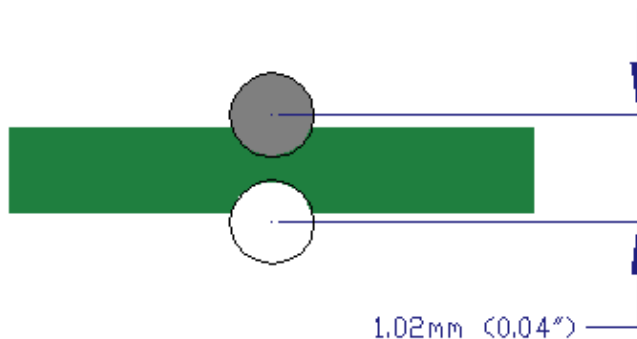
The probes have both metric and imperial measurements. The imperial measurements are contained in the brackets.

Order codes for single-ended probes: IP-xx/pp (where xx is the impedance; pp is the pitch). If no pitch is specified assume 0.14". For differential probes use part-number ACCxxx.

Single ended Probes (2 Pin).

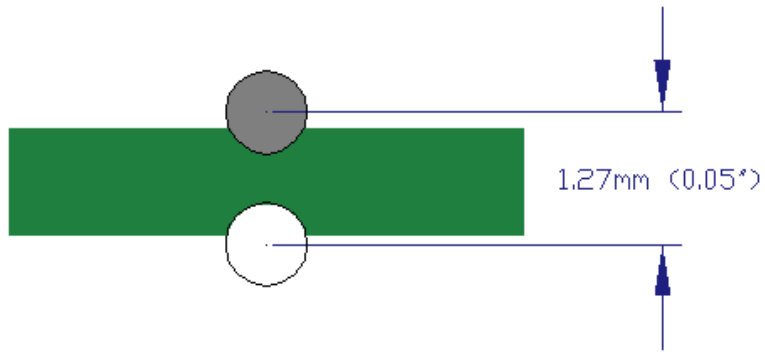


IP-XX /0.04"



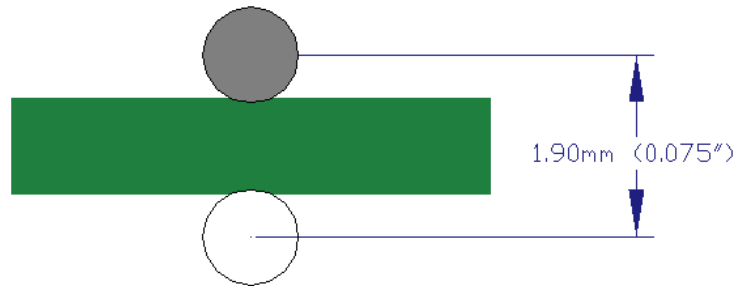
The pins fit into grooves on board.
Fit part number PRB119.

IP-XX /0.05"



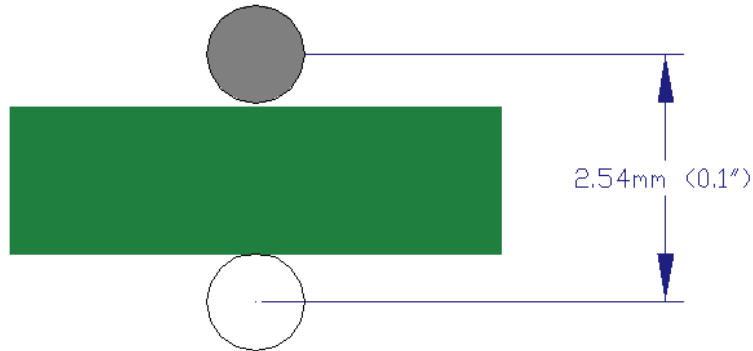
The pins fit into grooves on board.

IP-XX /0.075"



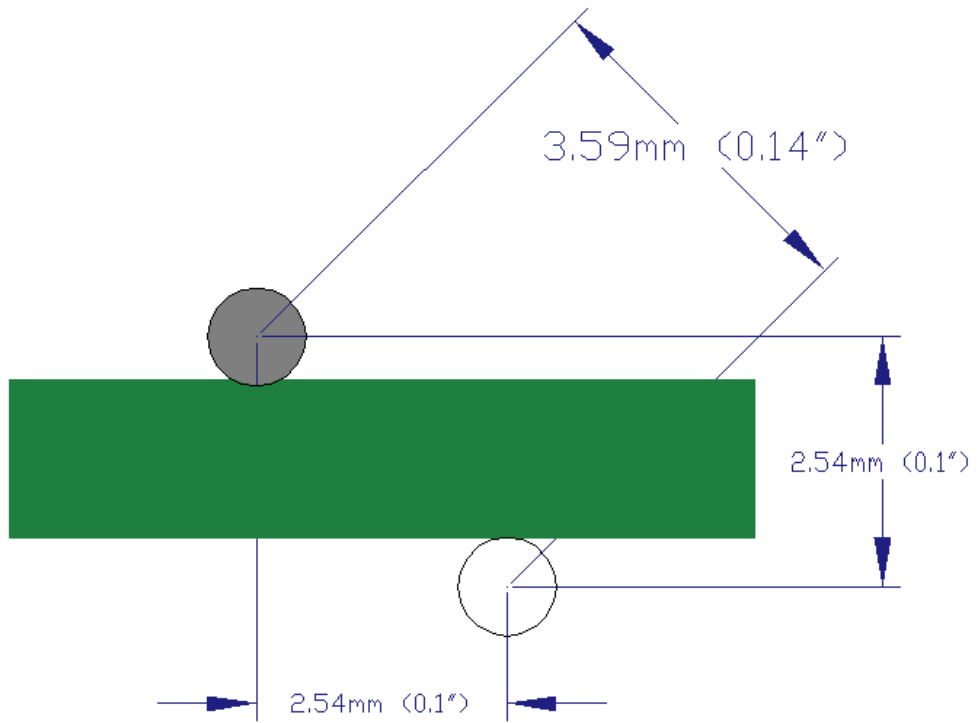
The pins fit into grooves on board.

IP-XX /0.1" (IP50/0.1" Preferred)

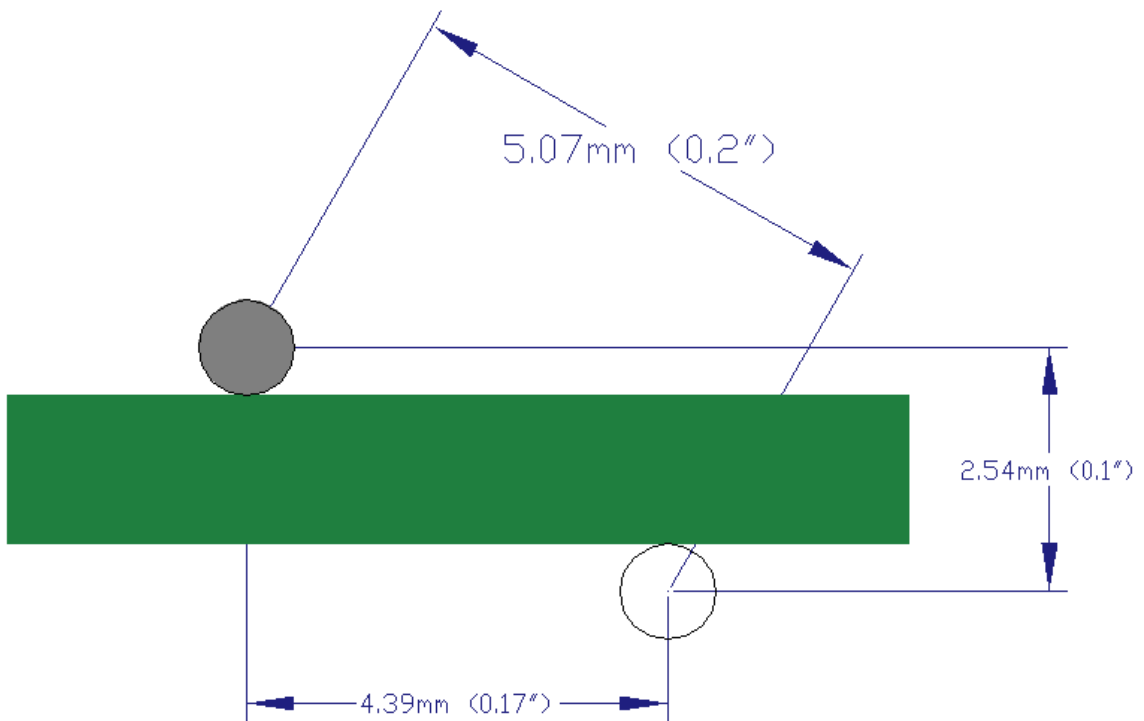


Fit pins directly opposite each other.

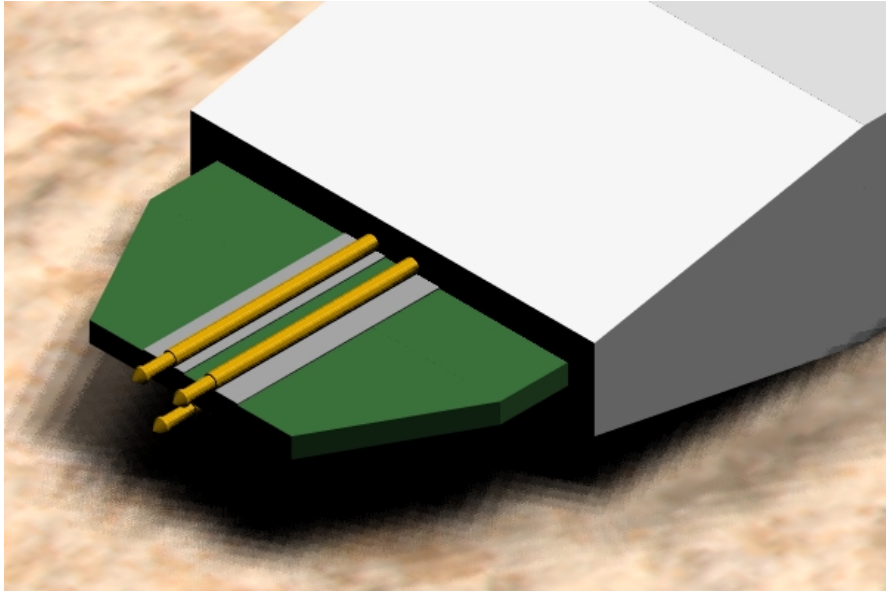
IP-XX /0.14" (IP50/0.14" Preferred)



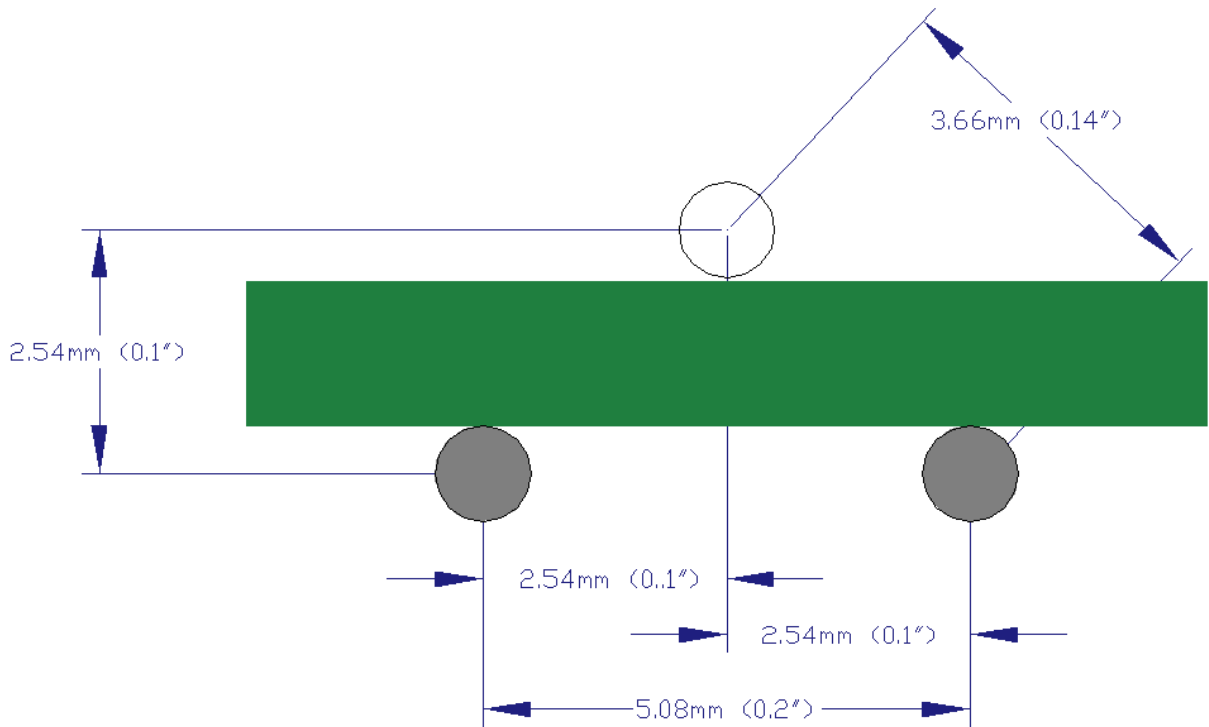
IP-XX /0.2"



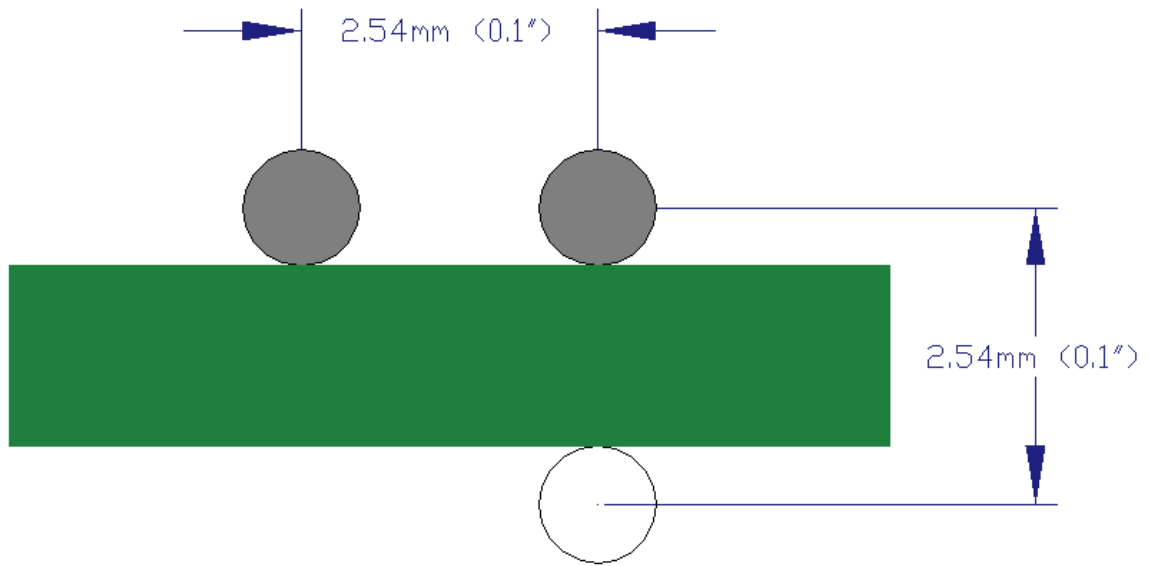
Single ended Probes (3 Pin).



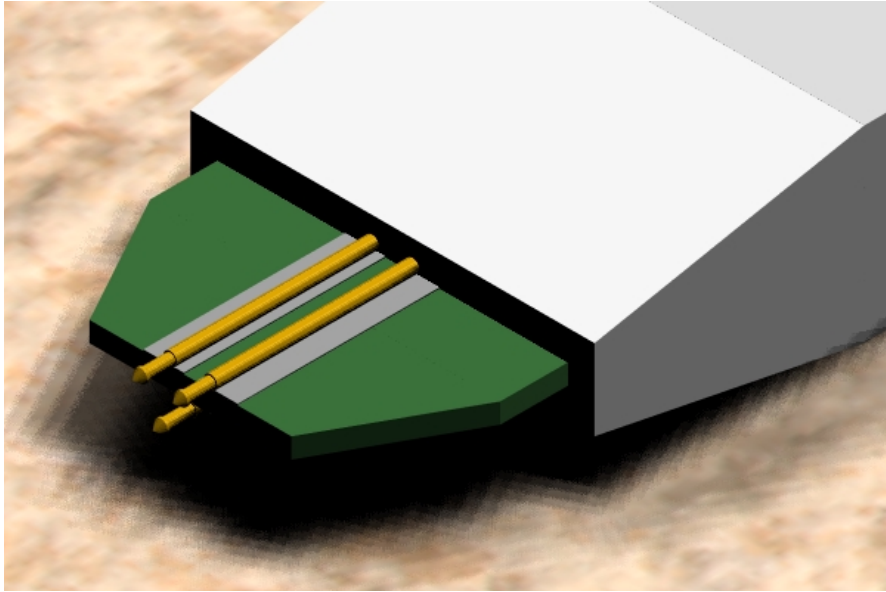
ACC287 (IP-50 /0.14", 2 pin ground)



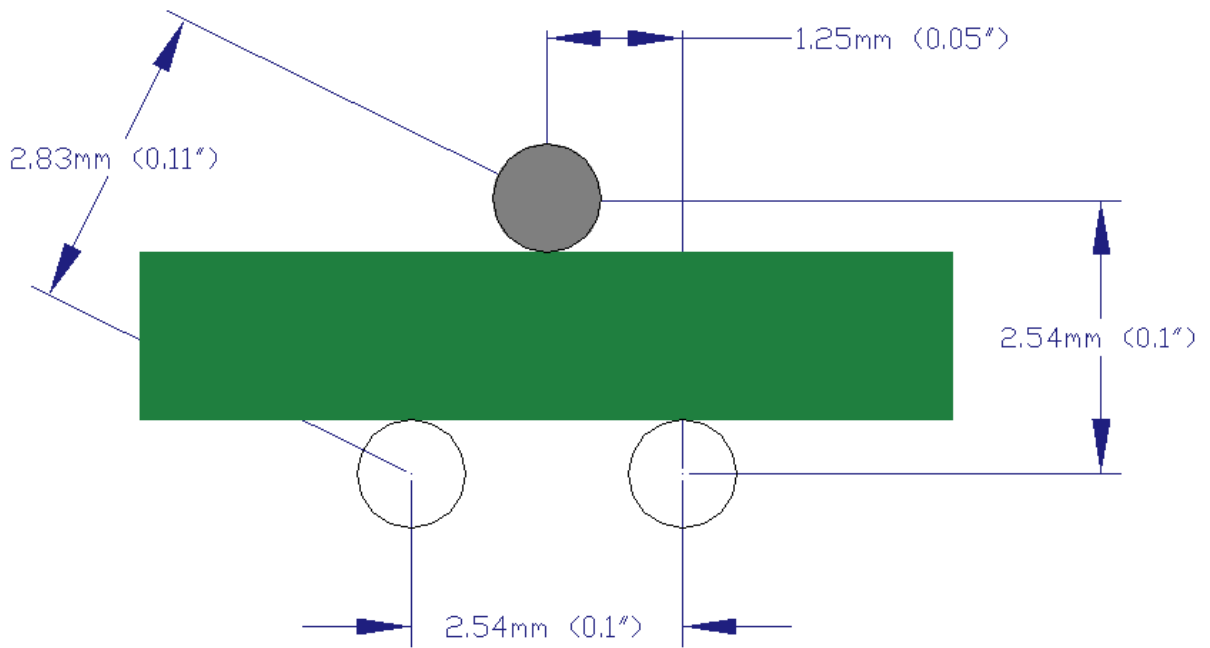
ACC308 (IP-50 , 2 pin ground "L")



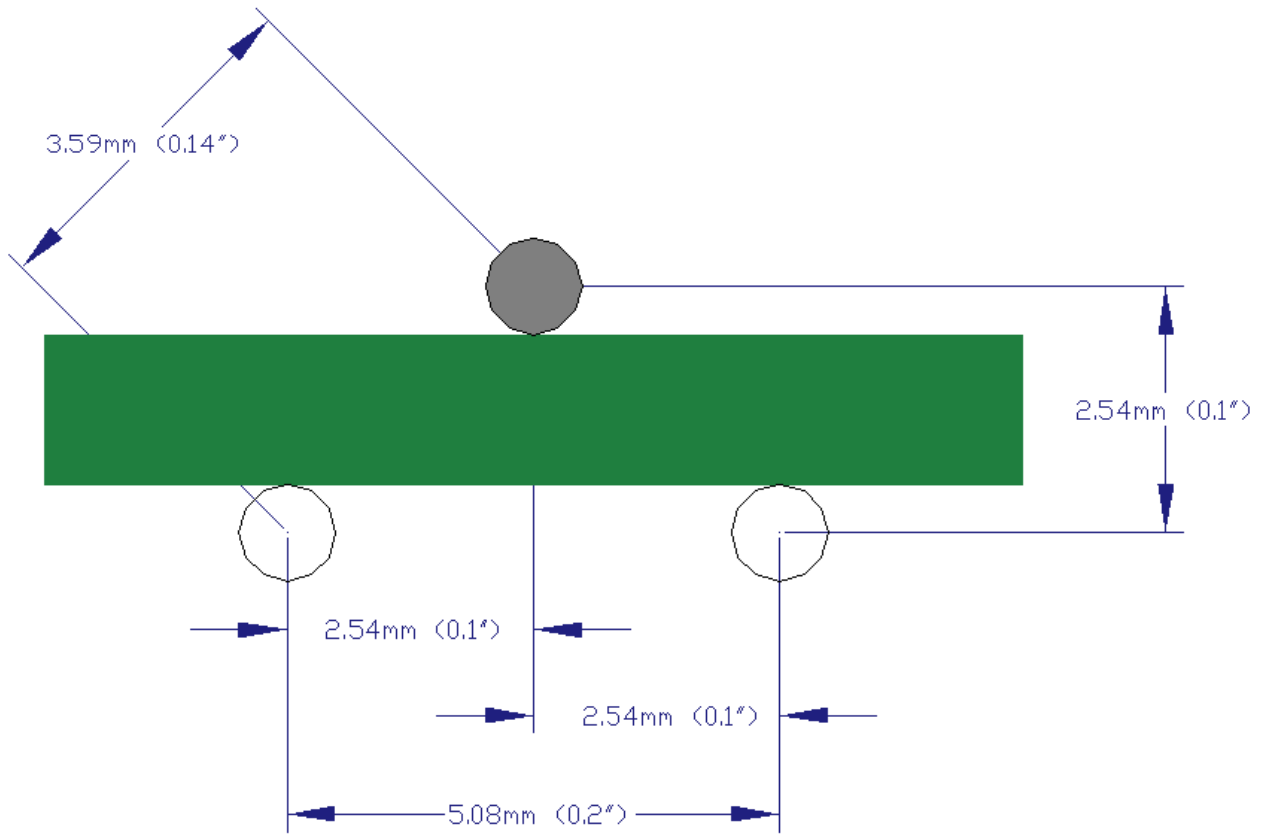
Differential Probes (3 Pin).



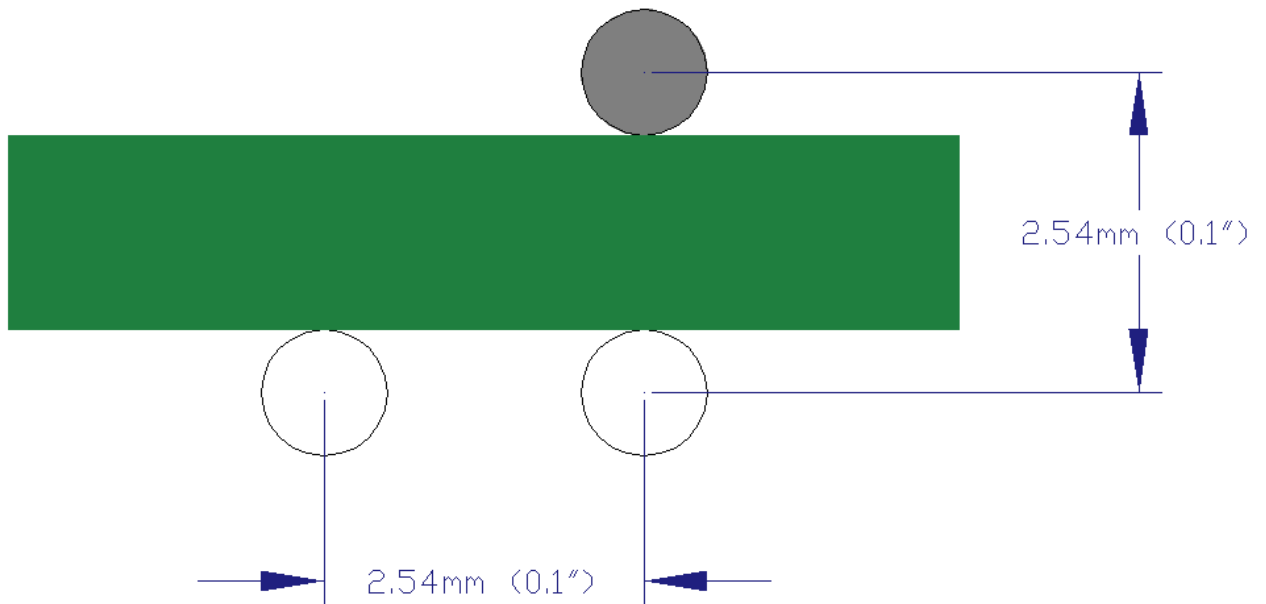
(Preferred) ACC272 (IPD-100 /0.1" 3PIN)



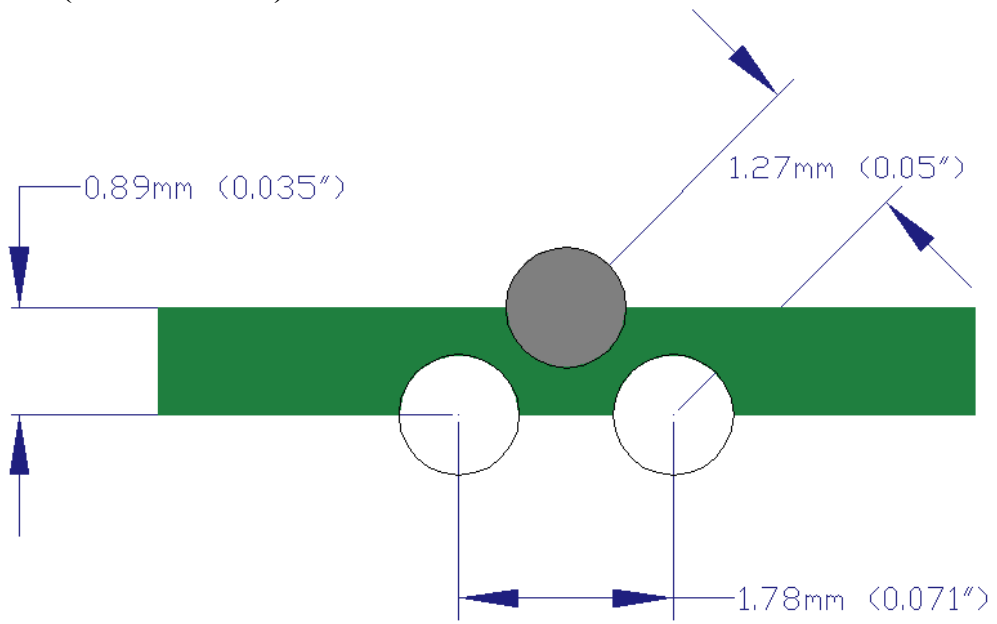
ACC273 (IPD-100 /0.2" 3PIN)



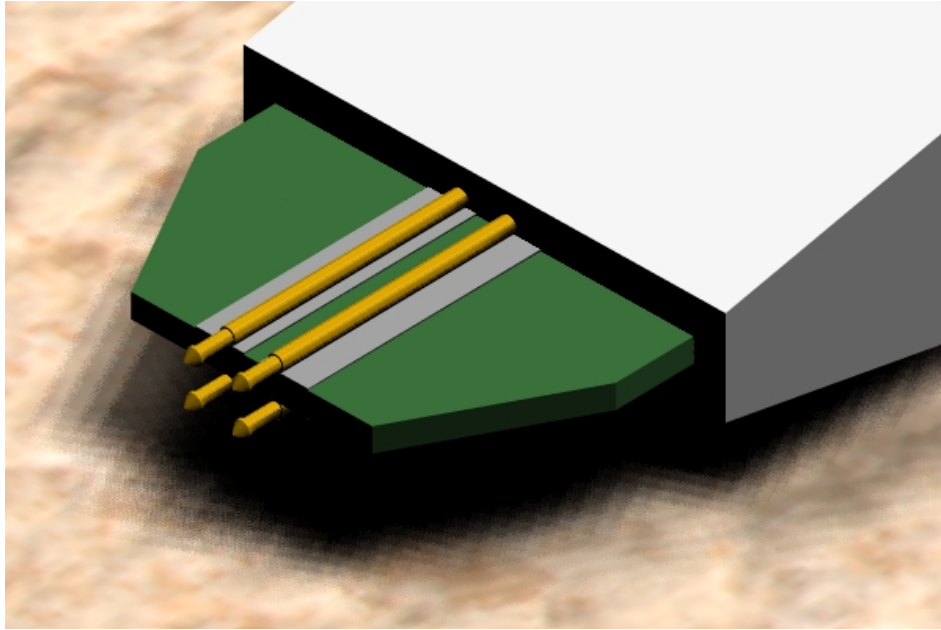
ACC277 (IPD-100 / 3PIN "L")



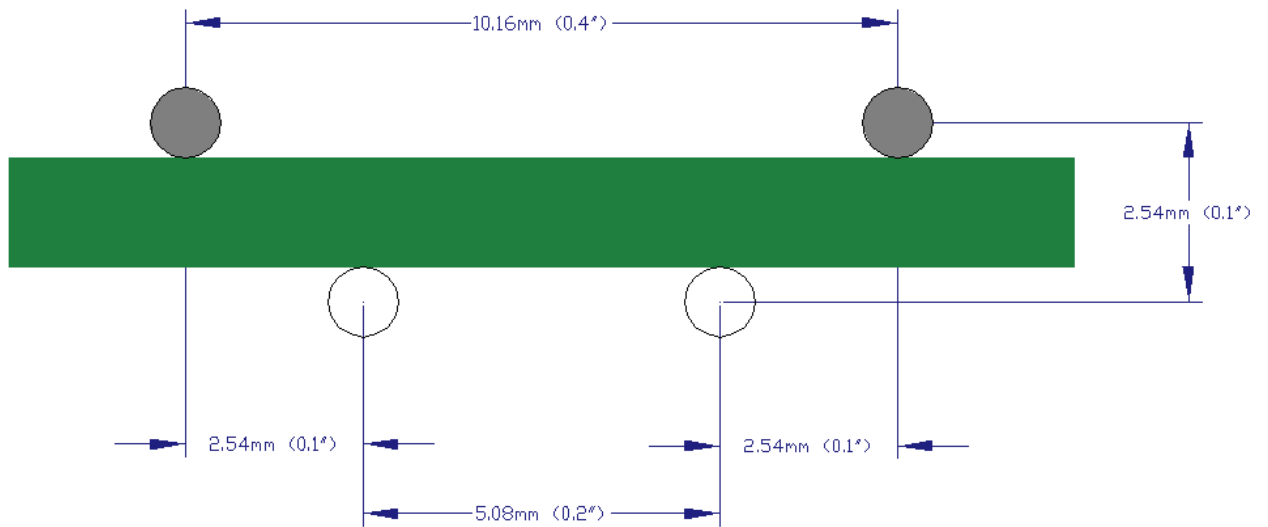
ACC288 (IPD-100 /0.05")



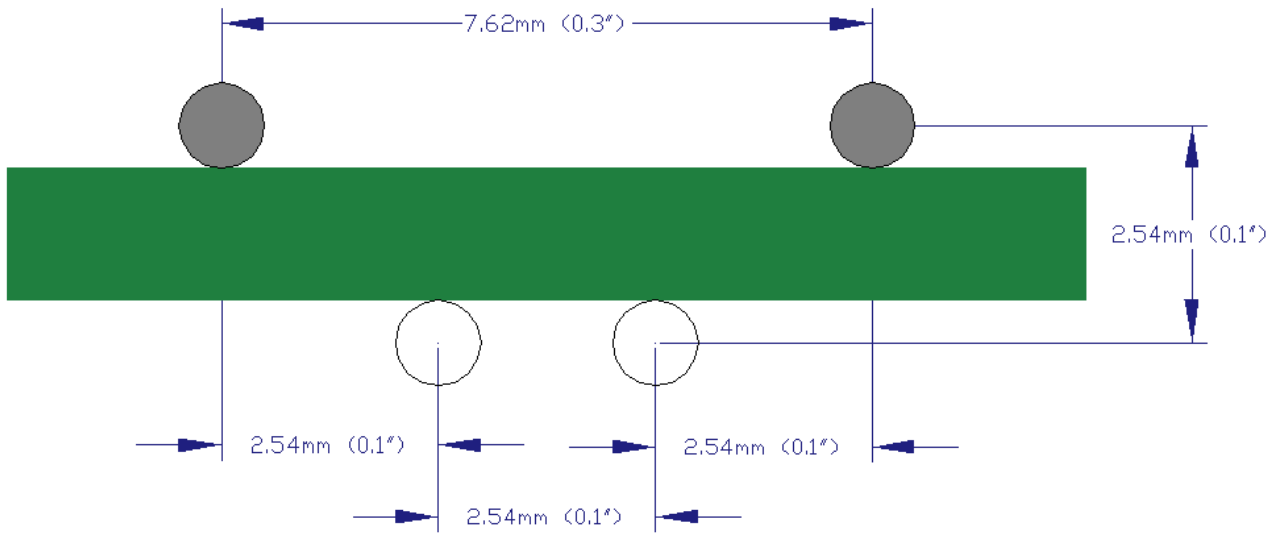
Differential Probes (4 Pin).



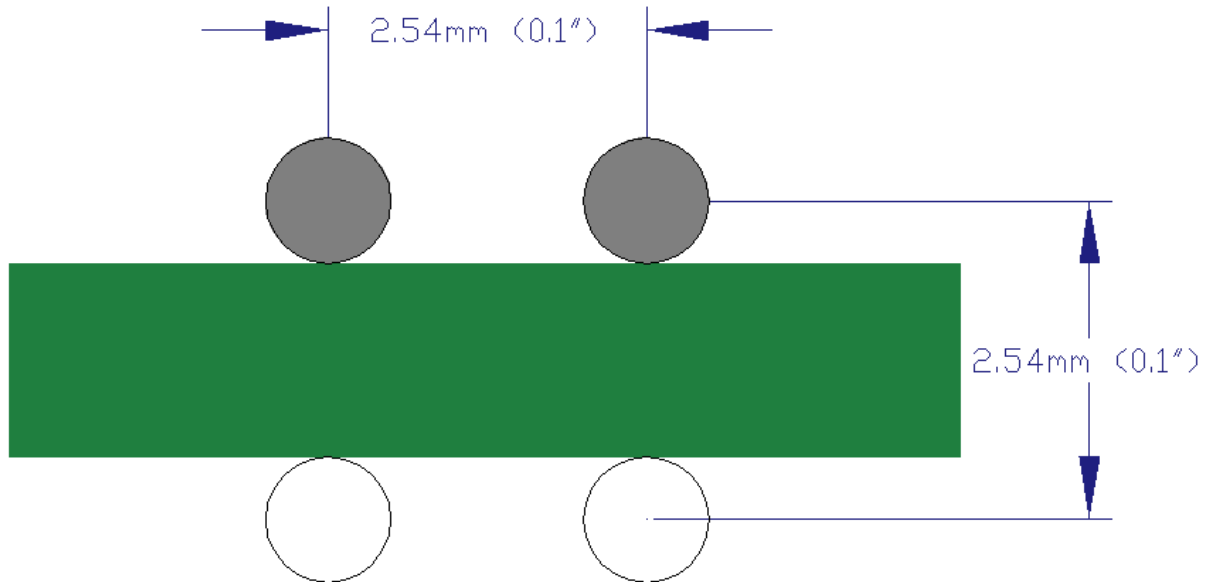
(Preferred) ACC270 (IPD-100 /Standard)



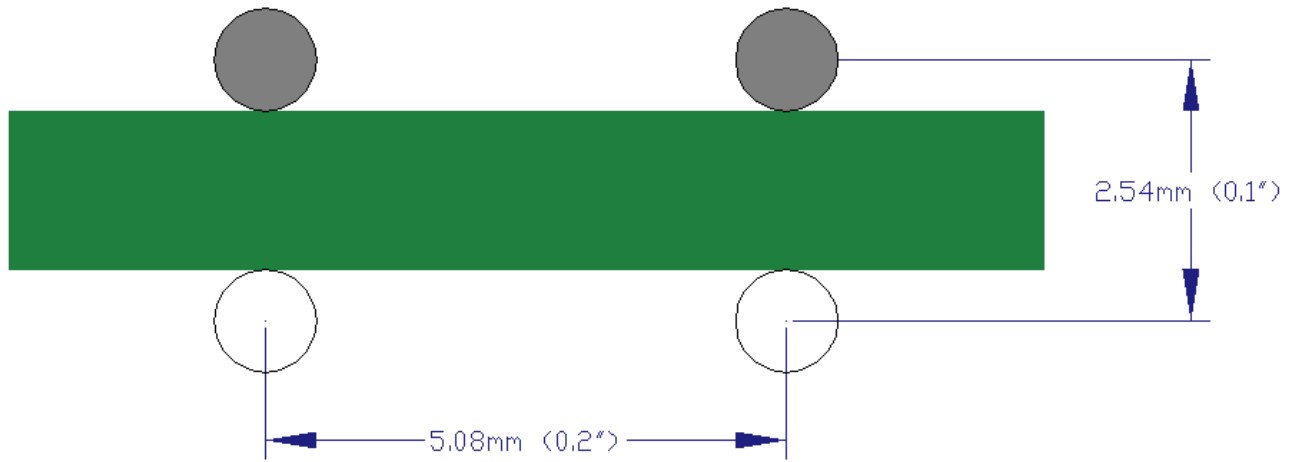
ACC271 (IPD-100 /0.1" Grid)



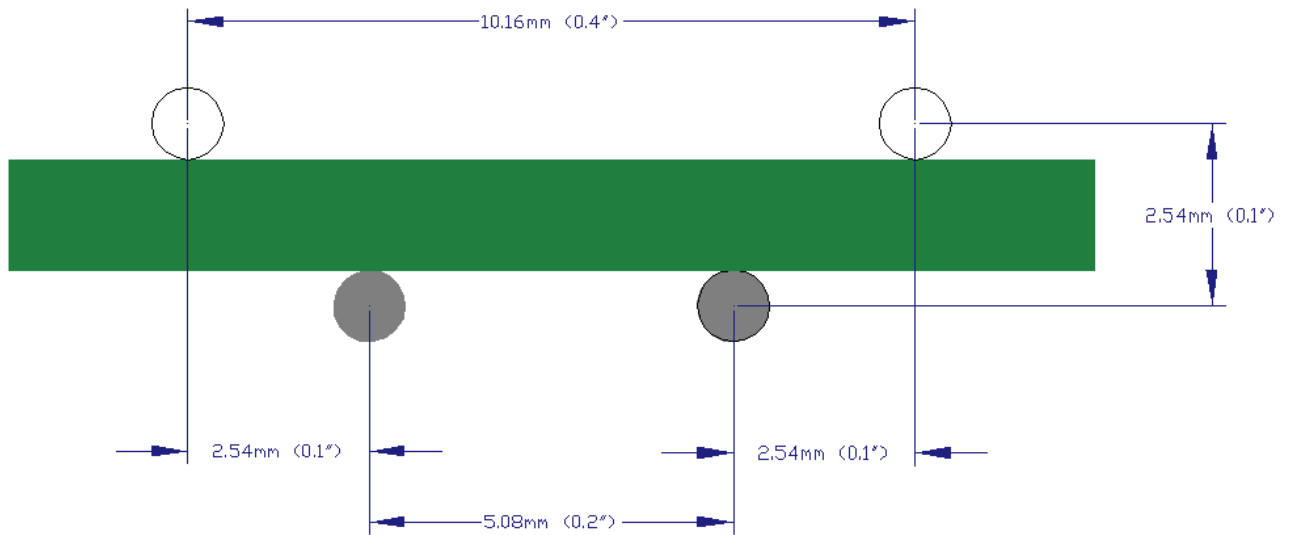
(Preferred) ACC274 (IPD-100 /0.1", 4 pin Square)



(Preferred) ACC275 (IPD-100 /0.2", 4 pin)

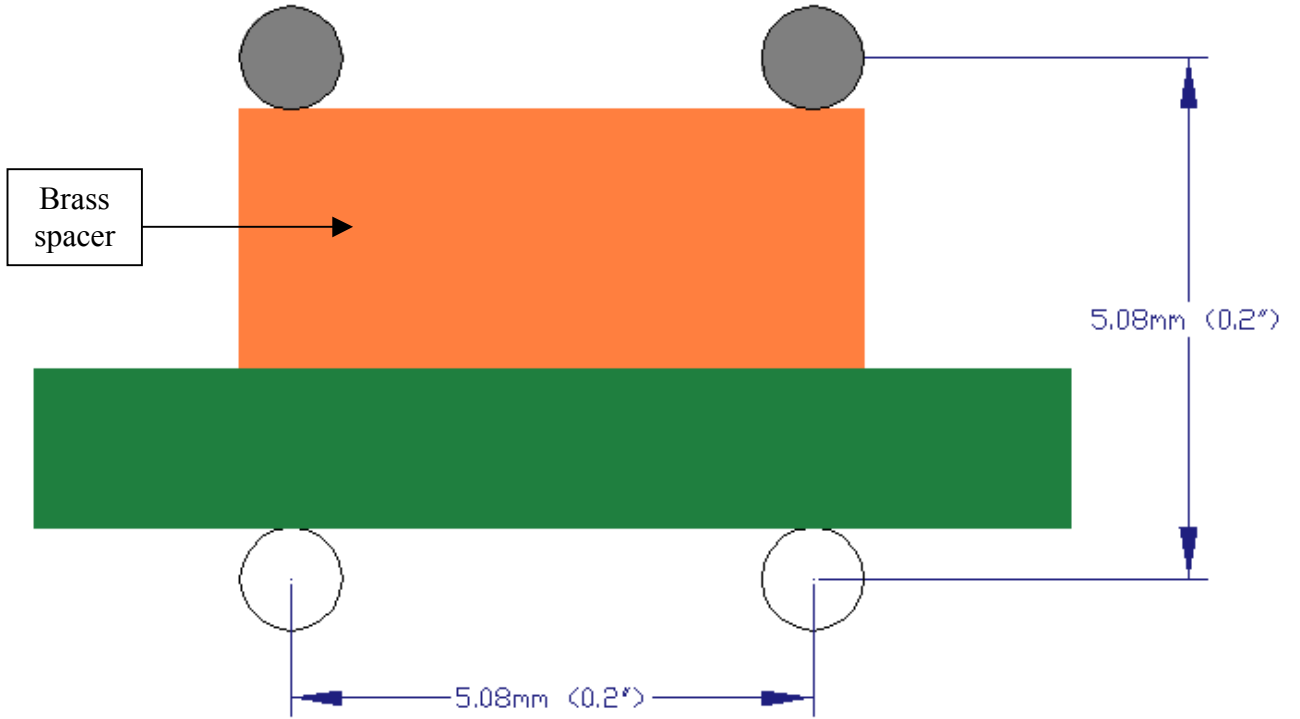


ACC276 (IPD-100 /0.4", 4 pin)

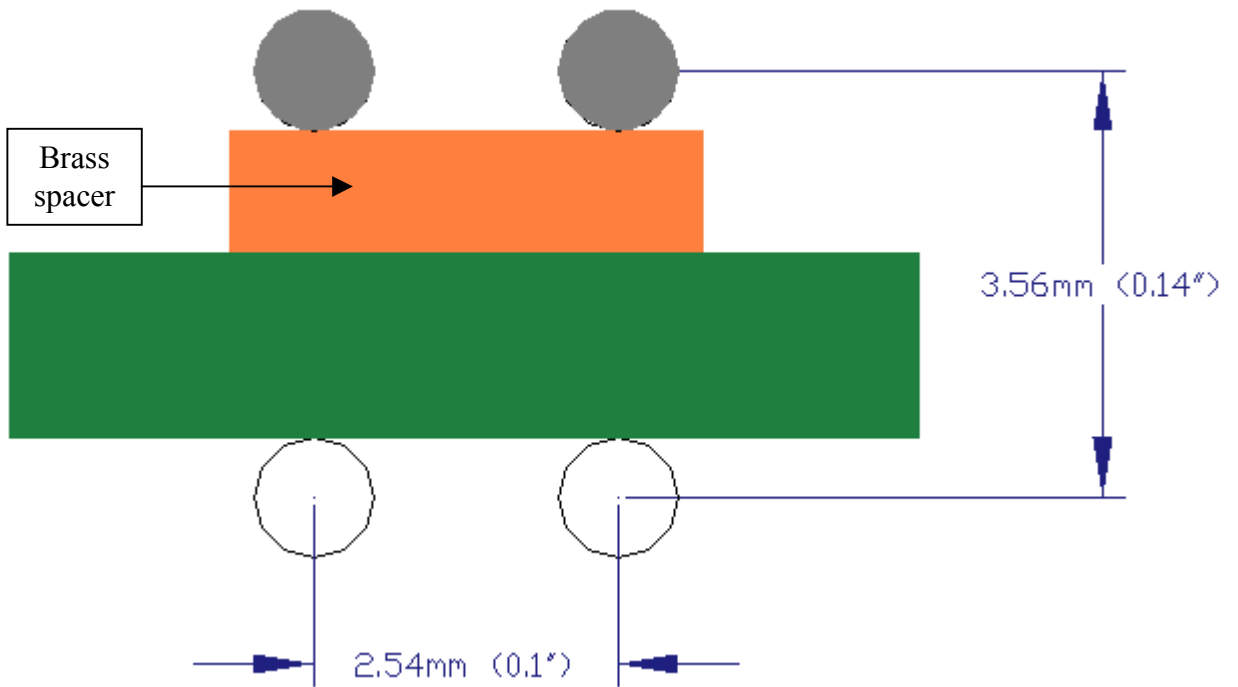


Note that the signal pins are 0.4"

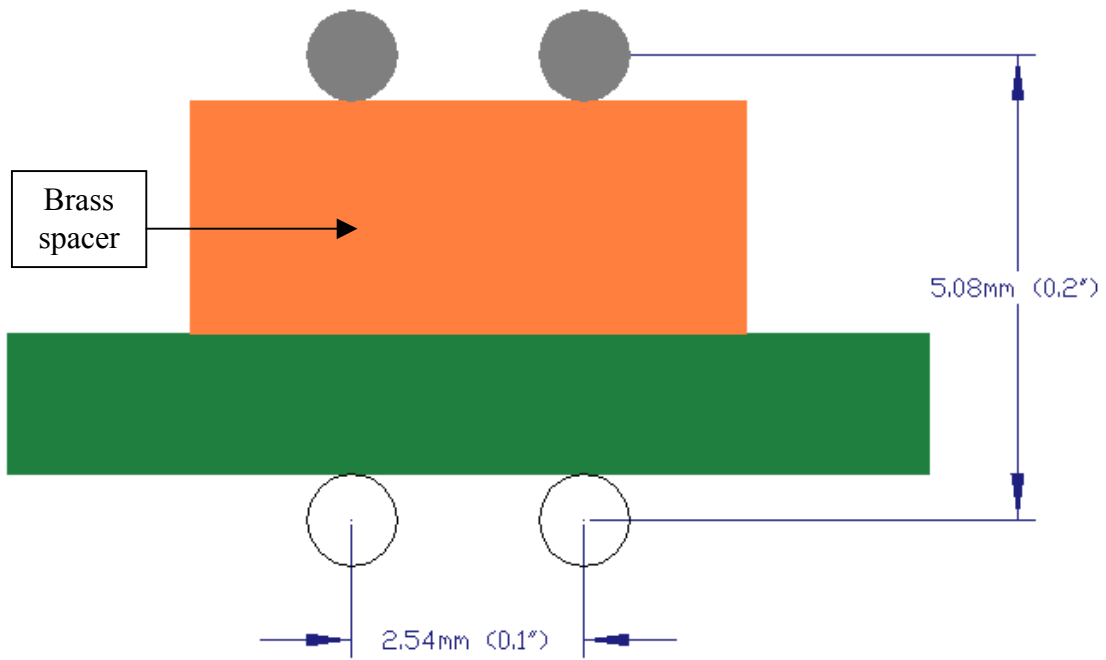
ACC281 (IPD-100 /0.2", Square)



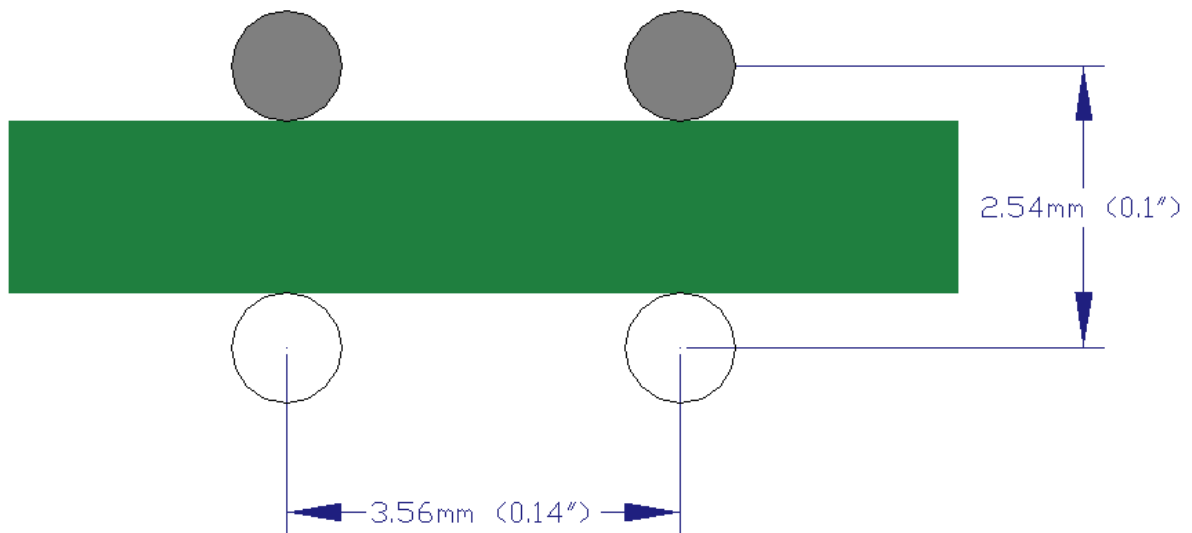
ACC289 (IPD-100 /0.1" x 0.14")



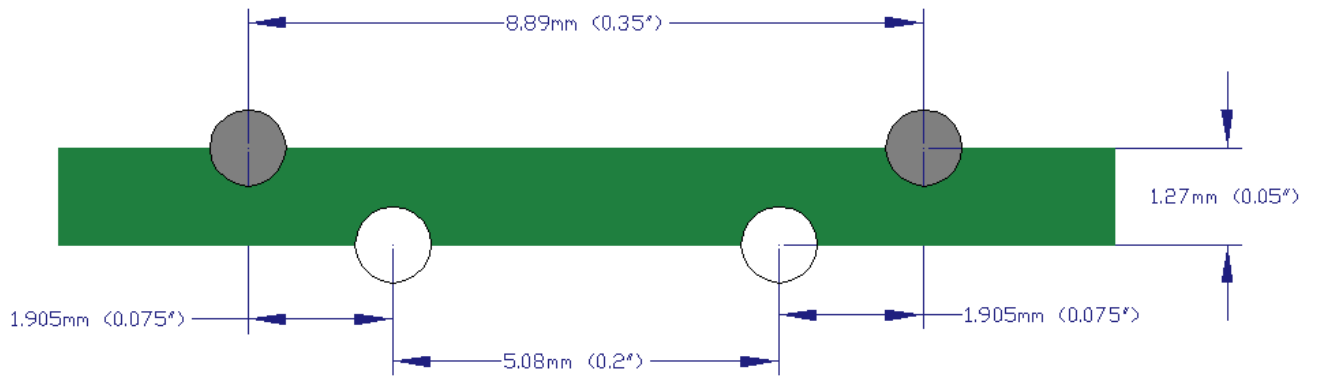
ACC291 (IPD-100 /0.1" x 0.2")



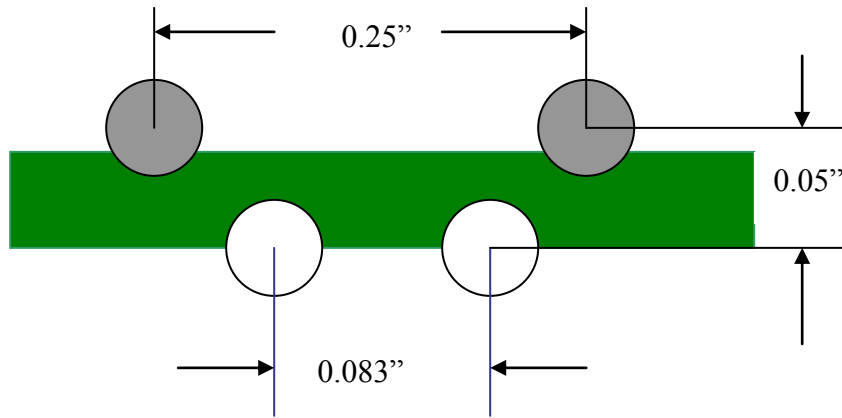
ACC300 (IPD-100 /0.14" x 0.1")



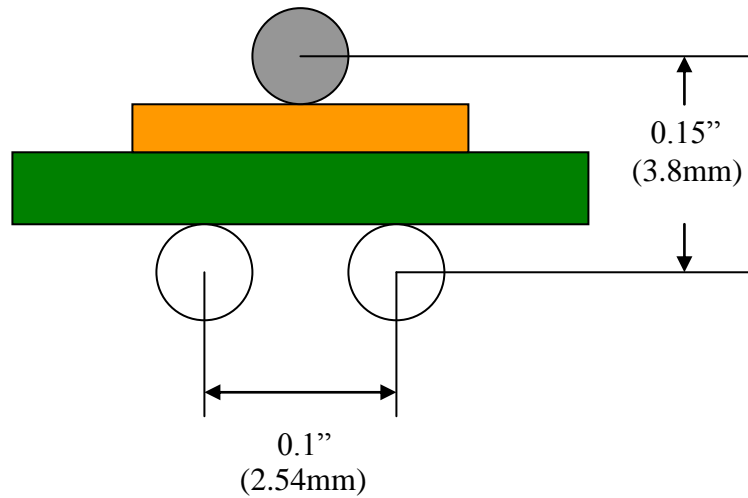
ACC306 (IPD-100 /0.2" x 0.05")



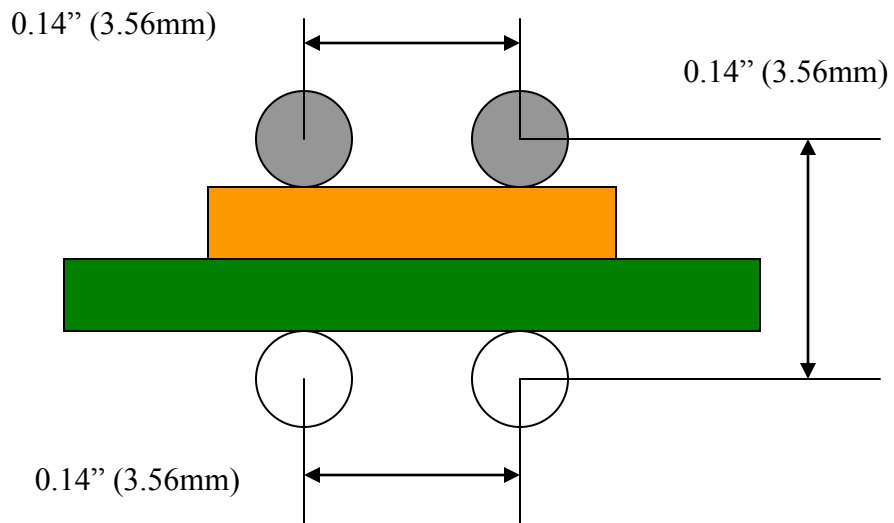
ACC325



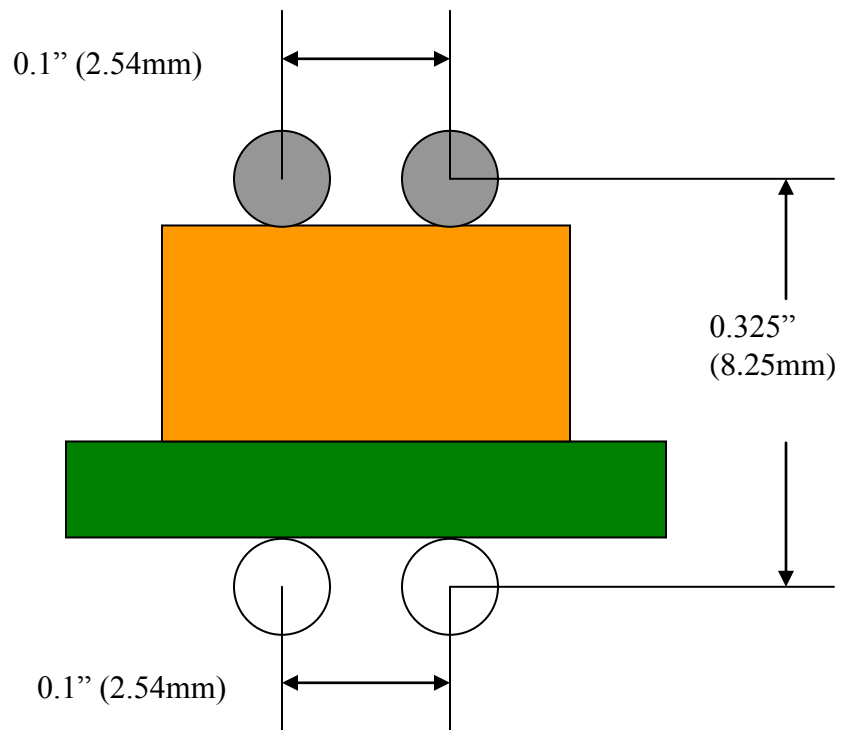
ACC342 (0.1 / 0.15 3pin)



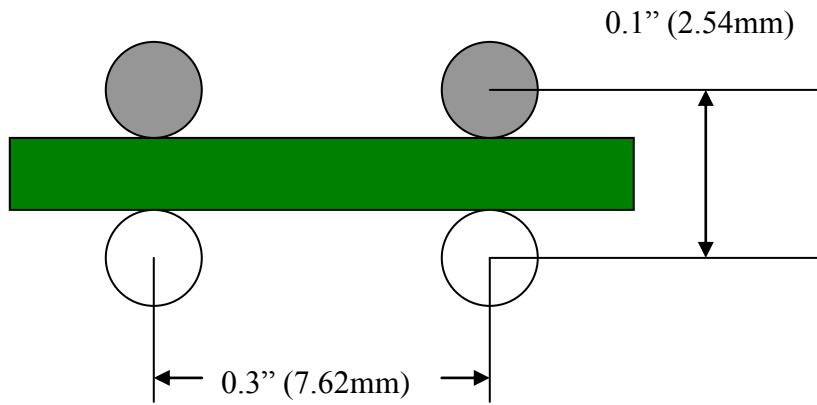
ACC348 (0.14" Sq)



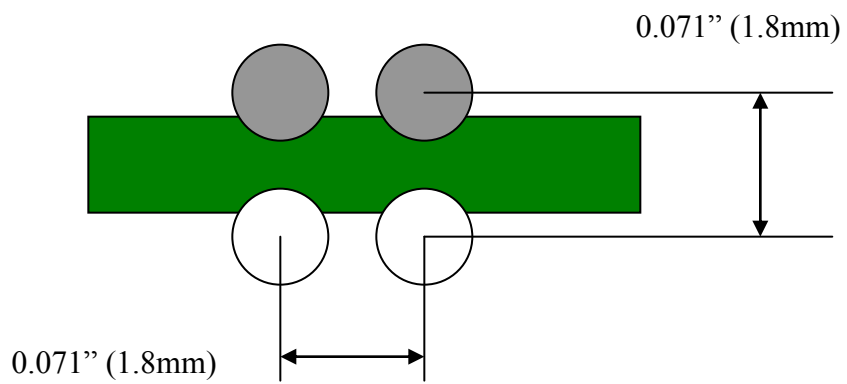
ACC363 (0.1" x 0.325")



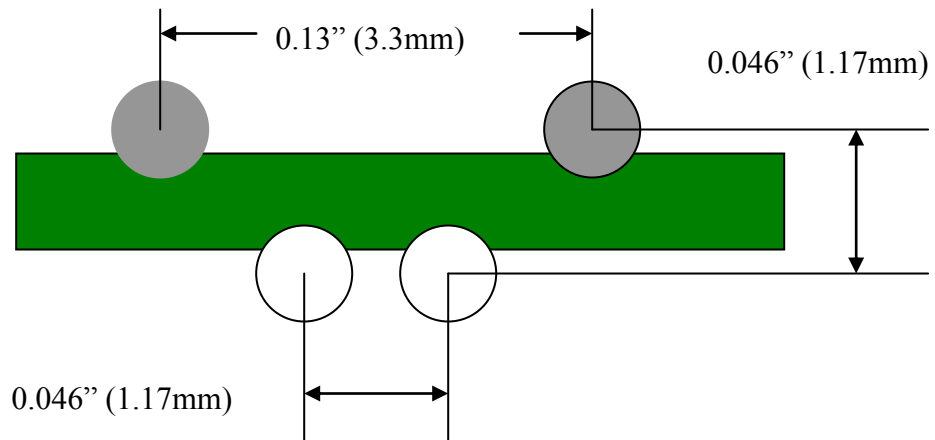
ACC364 (0.3" x 0.1")



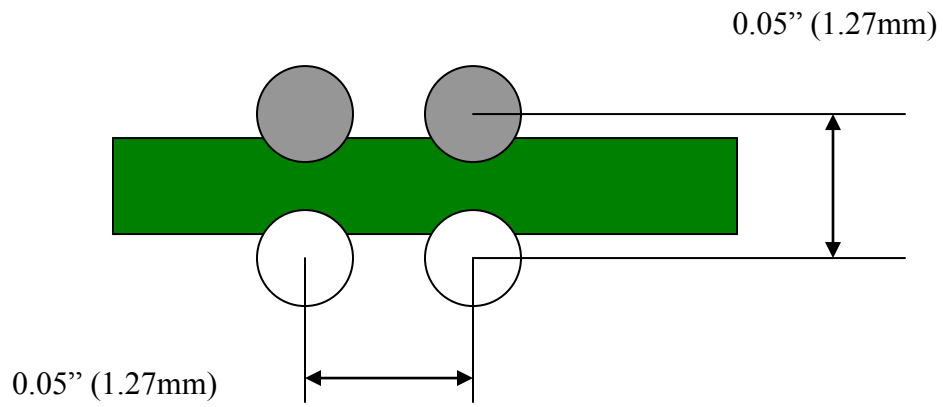
ACC368 (0.071" Sq)



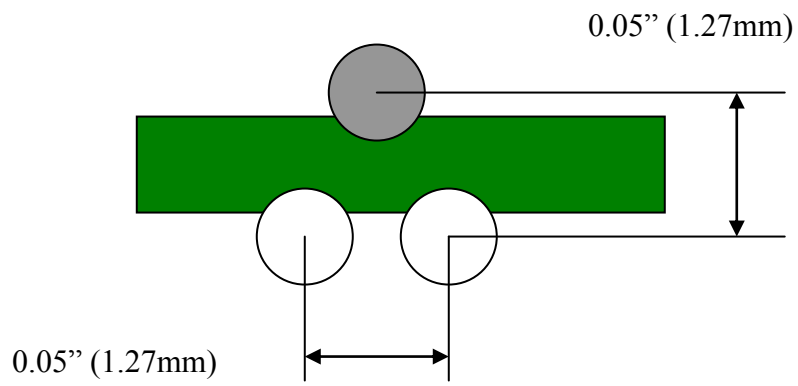
ACC369



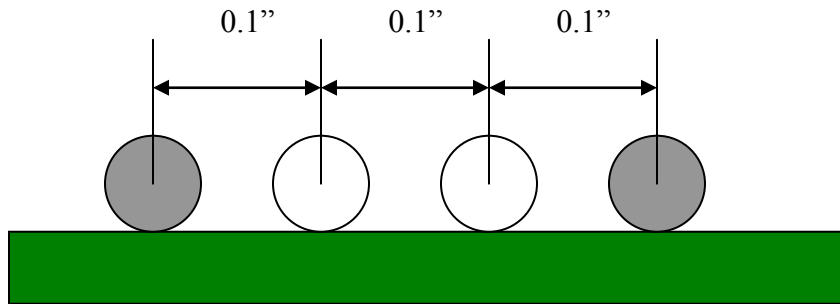
ACC370 (0.05" Sq)



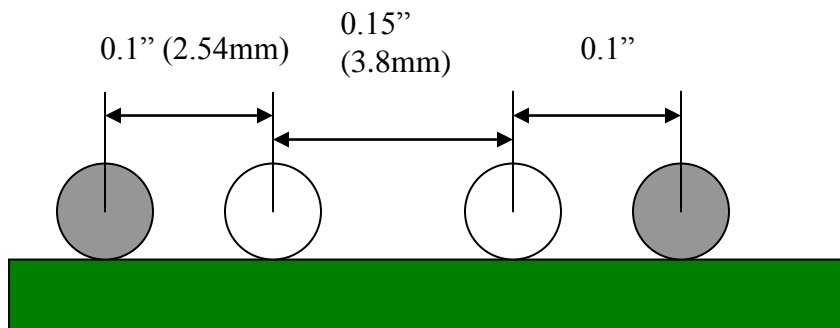
ACC377 (0.05" 3 Pin)



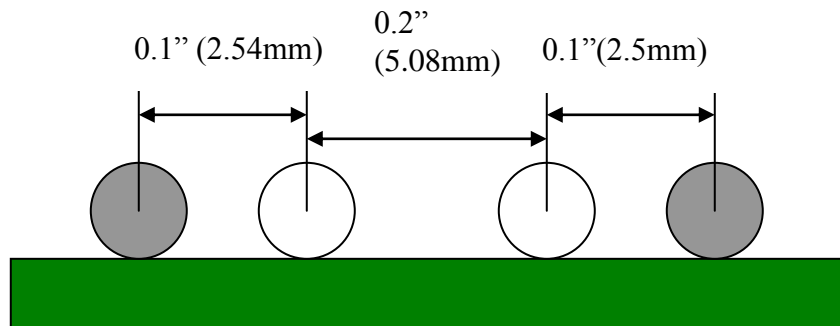
ACC378 (0.1" in-line (usb))



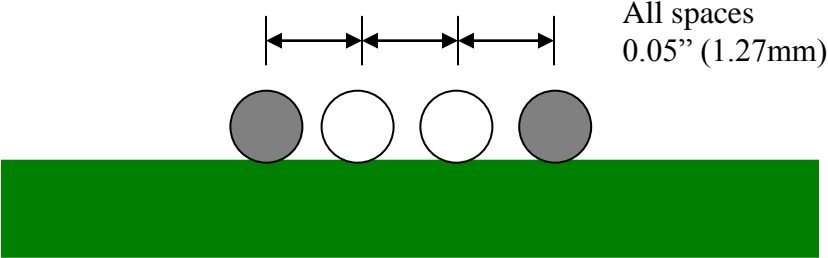
ACC382 (0.1/0.15/0.1" in line (usb))



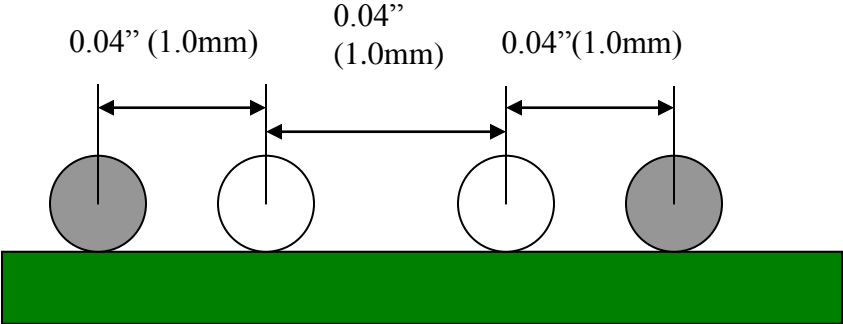
ACC384 (0.1/0.2/0.1" in line (usb))



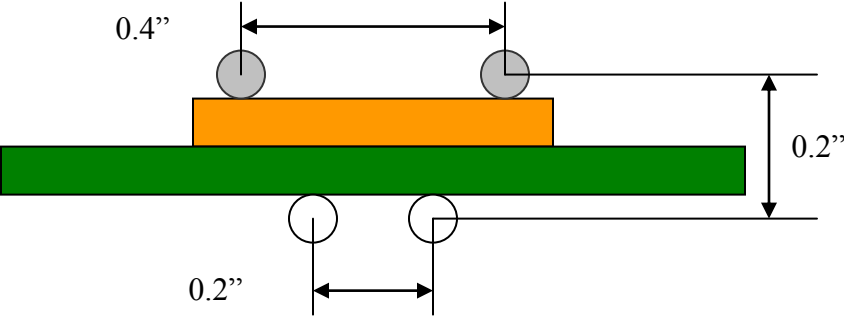
ACC385 0.05" (1.27mm) in-line IPD100



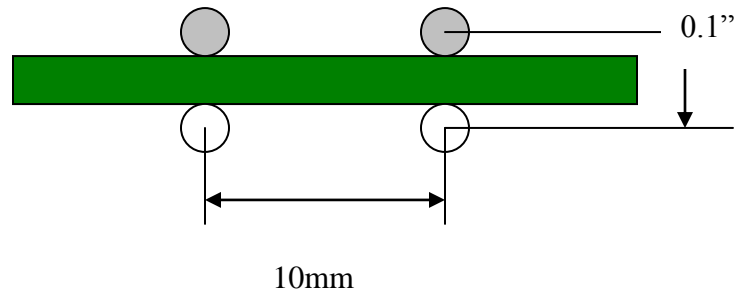
ACC389 (0.04/0.04/0.04" in line (usb))



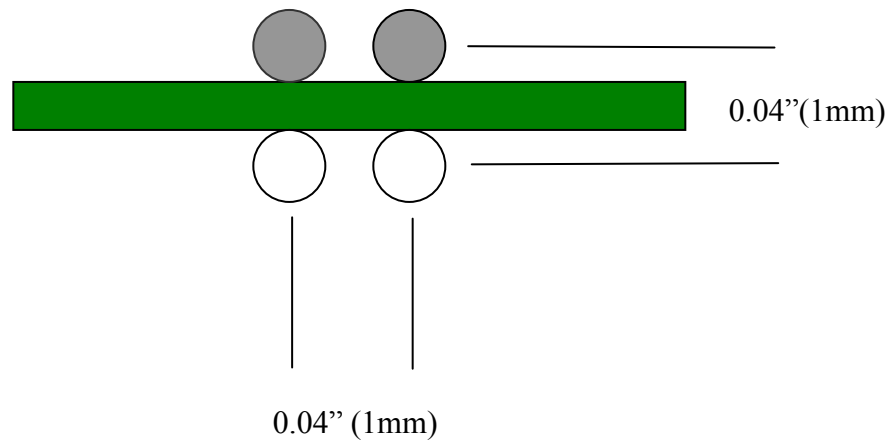
ACC392 (IPD-100/0.2"/0.4"/0.2")



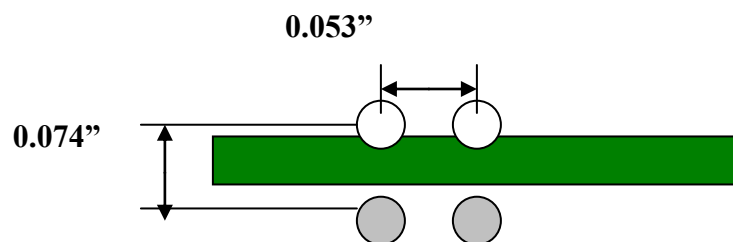
ACC395 (IPD-100 /10mm x 0.1")



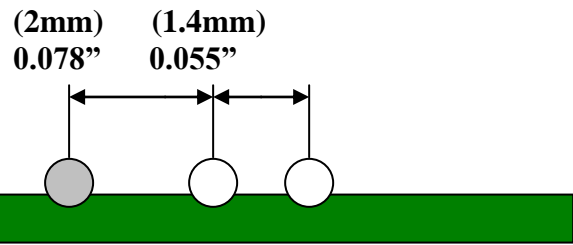
ACC398 0.04" Square



ACC412 IPDE100 0.053 x 0.074" sq (1.35 x 1.9mm)



ACC413 IPDE100 3pin in-line



ACC414 IPDE100 3pin 1.4 x 2.0mm

